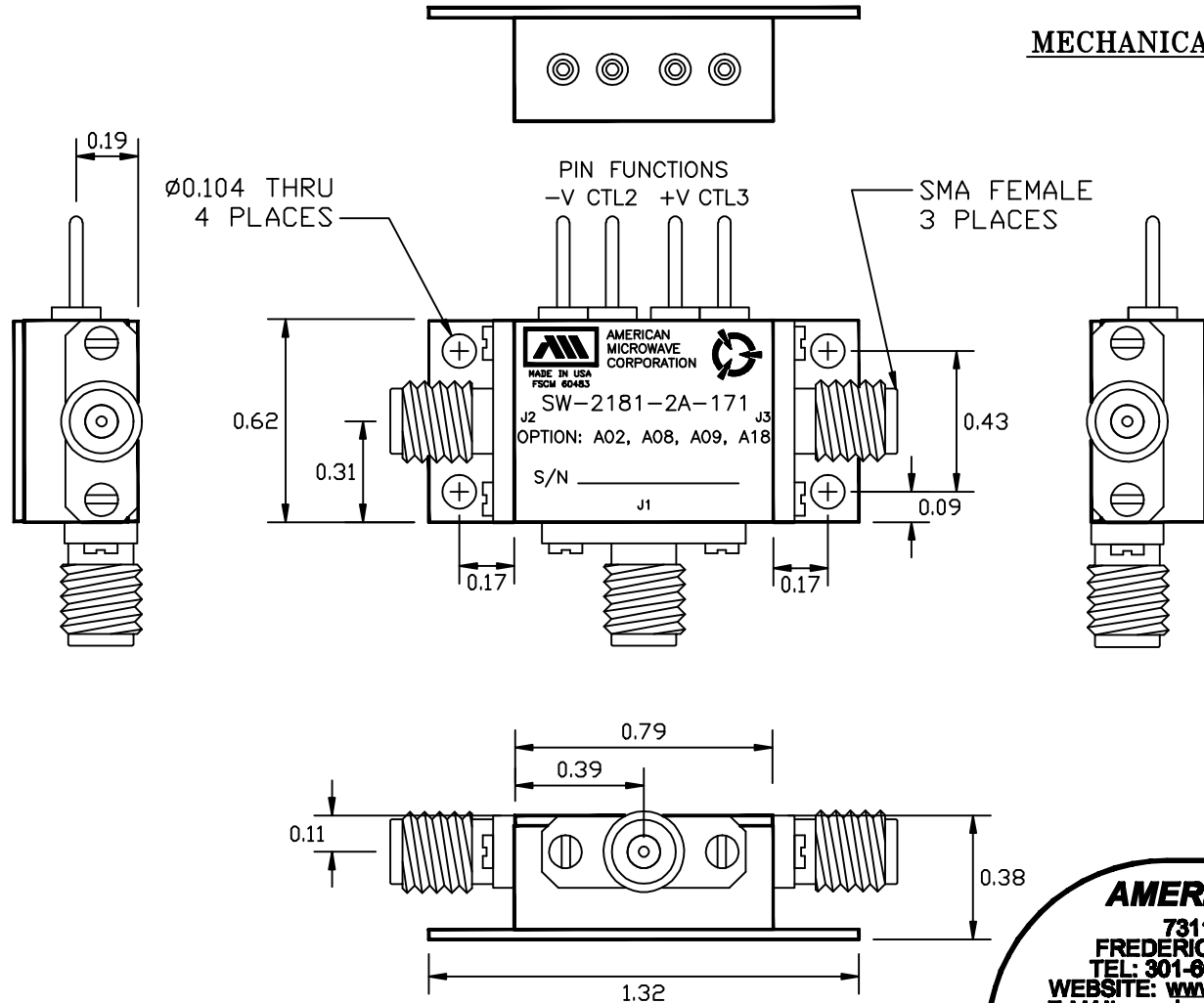


DESCRIPTION

AMC MODEL SWN-2181-2A-171 OPTION: A02, A08, A09, A18, IS A REFLECTIVE SPDT SWITCH MODULE WITH INTEGRAL TTL DRIVER, PACKAGED IN A MINIATURE POSTAGE STAMP SIZE HOUSING, DESIGNED FOR HIGH ISOLATION AND FAST SWITCHING APPLICATIONS.

REVISIONS				
ZONE	REV.	DESCRIPTION	DATE	APPROVED
	-	ORIGINAL RELEASE JOB# 611207X-1	12/05/06	

MECHANICAL OUTLINE



ALL DIMENSIONS ARE IN INCHES
 TOLERANCES:
 X.XX ±0.020
 X.XXX ±0.010

AMERICAN MICROWAVE CORPORATION

7311-G GROVE ROAD
 FREDERICK, MARYLAND 21704 USA
 TEL: 301-662-4700 FAX: 301-662-4938
 WEBSITE: www.americamicrowavecorp.com
 E-MAIL: sales@americamicrowavecorp.com
 ISO 9001:2000 CERTIFIED



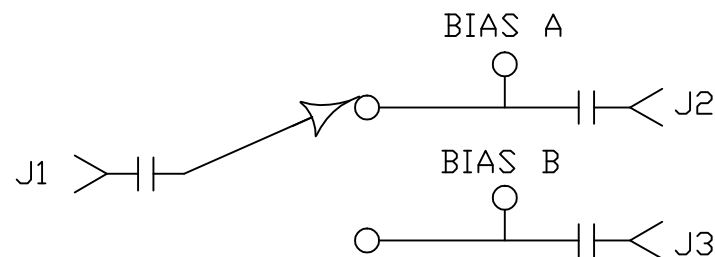
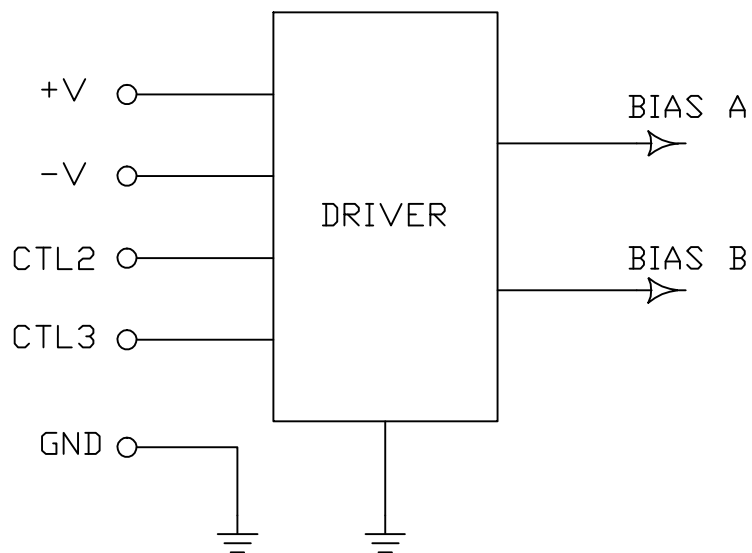
APPROVALS		DATE	TITLE		
DRAWN		12/05/06	MECHANICAL OUTLINE		
REDRAWN			SWN-2181-2A-171		
ISSUED			OPTION: A02, A08, A09, A18		
SIZE	FSCM NO.	DWG NO.	1 TO 18 GHz REFLECTIVE SPDT SWITCH MODULE		
A	60483	100-3197-001	-		
SCALE N:S		SHEET		2 OF 4	

DESCRIPTION

AMC MODEL SWN-2181-2A-171 OPTION: A02, A08, A09, A18, IS A REFLECTIVE SPDT SWITCH MODULE WITH INTEGRAL TTL DRIVER, PACKAGED IN A MINIATURE POSTAGE STAMP SIZE HOUSING, DESIGNED FOR HIGH ISOLATION AND FAST SWITCHING APPLICATIONS.

REVISIONS				
ZONE	REV.	DESCRIPTION	DATE	APPROVED
	-	ORIGINAL RELEASE JOB# 611207X-1	12/05/06	

FUNCTIONAL BLOCK DIAGRAM



AMERICAN MICROWAVE CORPORATION

7311-G GROVE ROAD
 FREDERICK, MARYLAND 21704 USA
 TEL: 301-662-4700 FAX: 301-662-4938
 WEBSITE: www.americanmicrowavecorp.com
 E-MAIL: sales@americanmicrowavecorp.com
 ISO 9001:2000 CERTIFIED



APPROVALS		DATE		TITLE	
DRAWN <i>PRB</i>		12/05/06		FUNCTIONAL BLOCK DIAGRAM SWN-2181-2A-171 OPTION: A02, A08, A09, A18 1 TO 18 GHz REFLECTIVE SPDT SWITCH MODULE	
REDRAWN		SIZE A	FSCM NO. 60483	DWG NO. 100-3197-001	REV. -
ISSUED		SCALE N:S		SHEET 3 OF 4	